

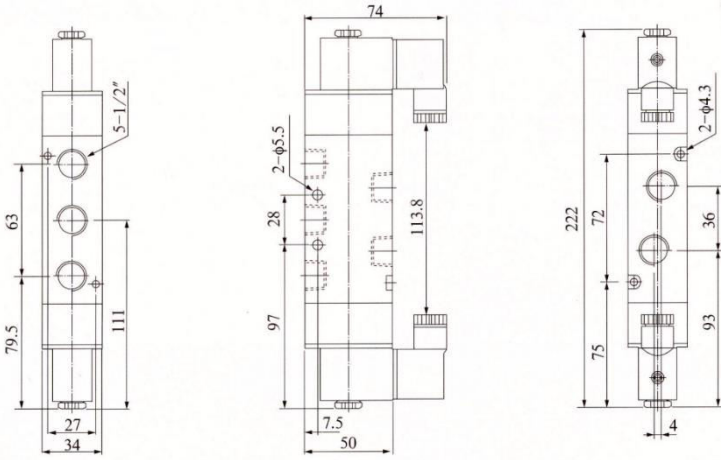
MODEL P-4V420



MODELLER / MODELS

P-4V420-15

5/2 ÇİFT BOBİN SOKETLİ 1/2" BSP DİŞLİ
5/2 DOUBLE BOBIN WITH SOCKET 1/2" BSP THREAD



MAX BASINÇ / MAX.PRESSURE : 10 BAR
MAX SICAKLIK / MAX. TEMPERATURE : 60 °C
VOLTAJLAR / VOLTAGES : 12V DC- 24V DC- 24V AC - 110V AC - 220V AC

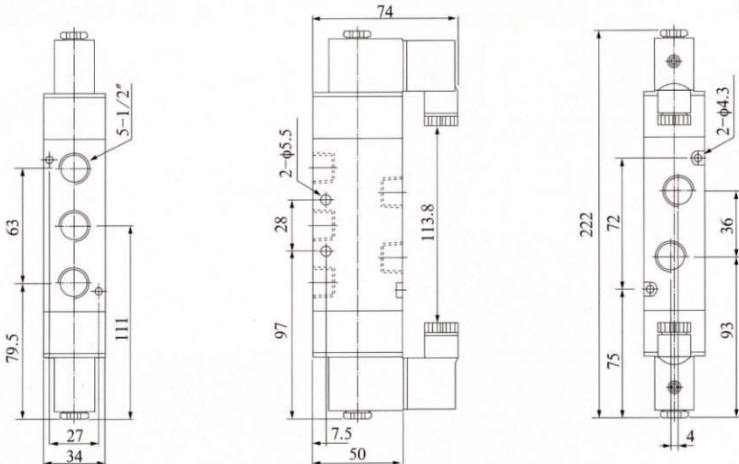
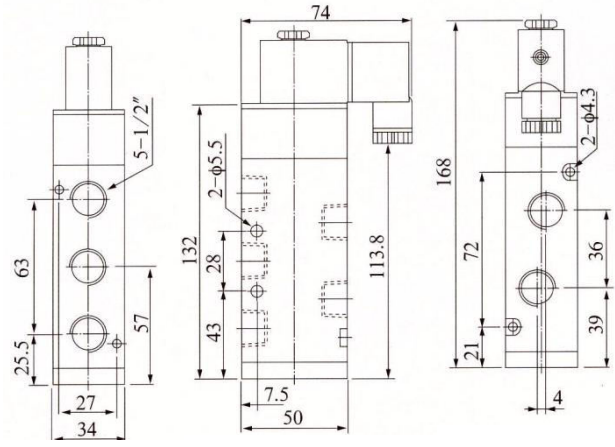
MODEL P-4V410



MODELLER / MODELS

P-4V410-15

5/2 TEK BOBİN SOKETLİ 1/2" BSP DİŞLİ
5/2 SINGLE BOBIN WITH SOCKET 1/2" BSP THREAD



MODEL P-4V430



MODELLER / MODELS

P-4V430-C-15

5/3 ÇİFT BOBİN SOKETLİ 1/2" BSP BAĞLANTILI KAPALI MERKEZ (K/M)
5/3 DOUBLE BOBIN WITH SOCKET 1/2" BSP THREAD CLOSED CENTER

P-4V430-E-15

5/3 ÇİFT BOBİN SOKETLİ 1/2" BSP BAĞLANTILI AÇIK MERKEZ (A/M)
5/3 DOUBLE BOBIN WITH SOCKET 1/2" BSP THREAD OPEN CENTER