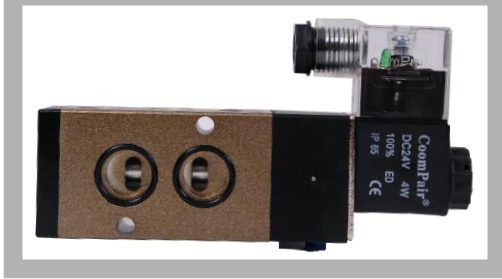


MODEL P-4M210



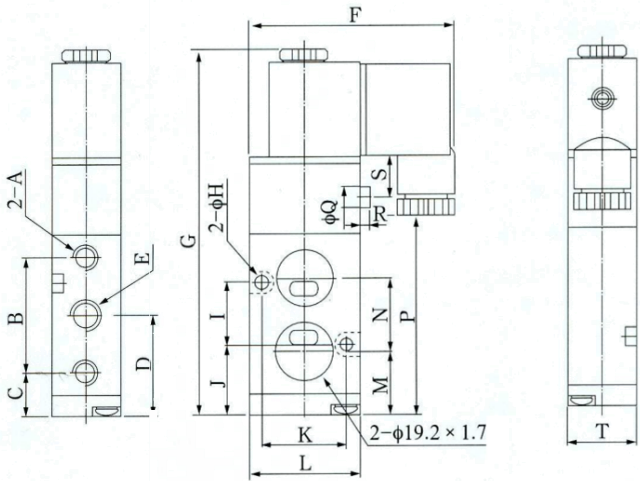
MODELLER / MODELS

P-4M210-08 – DAR SERİ

5/2 TEK BOBİN SOKETLİ 1/4" BSP DİŞLİ NAMUR VALF
5/2 WITH SINGLE BOBIN SOCKET 1/4" BSP THREAD VALVE

P-4M310-08 – GENİŞ SERİ

5/2 TEK BOBİN SOKETLİ 1/4" BSP DİŞLİ NAMUR VALF
5/2 WITH SINGLE BOBIN WITH SOCKET 1/4" BSP THREAD VALVE



MAX BASINÇ / MAX.PRESSURE : 10 BAR
MAX SICAKLIK / MAX.TEMPERATURE : 60 °C
VOLTAJLAR / VOLTAGES : 12VDC - 24VDC - 24VAC - 110VAC - 220VAC

TİP / MODEL	A	B	C	D	E	F	G	H	I
P-4M-210-08 DAR SERİ NARROW SERIES	1/4"	36	13,7	31,7	1/4"	66,5	116,5	4,3	20
P-4M-310-08 GENİŞ SERİ WIDE SERIES	1/4"	45	17	39,5	1/4"	69	134,5	5,2	24

TİP / MODEL	J	K	L	M	N	P	Q	R	S	T
P-4M-210-08 DAR SERİ NARROW SERIES	21,7	29	35	20,2	23	62,4	6,8	2,5	11	22
P-4M-310-08 GENİŞ SERİ WIDE SERIES	27,5	32	40	29	22	80,2	6,8	3,3	11	27

MODEL P-4M220



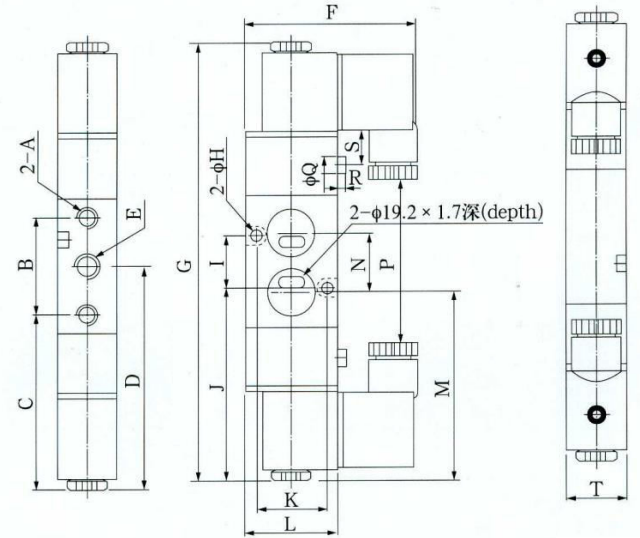
MODELLER / MODELS

P-4M220-08

5/2 ÇİFT BOBİN SOKETLİ 1/4" BSP DİŞLİ NAMUR VALF
5/2 DOUBLE BOBIN SOCKET 1/4" BSP THREAD VALVE

P-4M320-08

5/2 ÇİFT BOBİN SOKETLİ 1/4" BSP DİŞLİ NAMUR VALVE
5/2 DOUBLE BOBIN WITH SOCKET 1/4" BSP THREAD VALVE



MAX BASINÇ / MAX.PRESSURE : 10BAR
MAX SICAKLIK / MAX.TEMPERATURE : 60 °C
VOLTAJLAR / VOLTAGES : 12VDC-24V DC-24VAC -110VAC-220VAC

TİP / MODEL	A	B	C	D	E	F	G	H	I
P-4M-220-08 DAR SERİ NARROW SERIES	1/4"	36	67	85	1/4"	66,5	170	4,3	20
P-4M-320-08 GENİŞ SERİ WIDE SERIES	1/4"	45	72	94,5	1/4"	69	188,8	5,2	24

TİP / MODEL	J	K	L	M	N	P	Q	R	S	T
P-4M-220-08 DAR SERİ NARROW SERIES	75	29	35	73,5	23	61,4	6,8	2,5	11	22
P-4M-320-08 GENİŞ SERİ WIDE SERIES	83,7	32	40	82,5	22	80,2	6,8	3,3	11	27