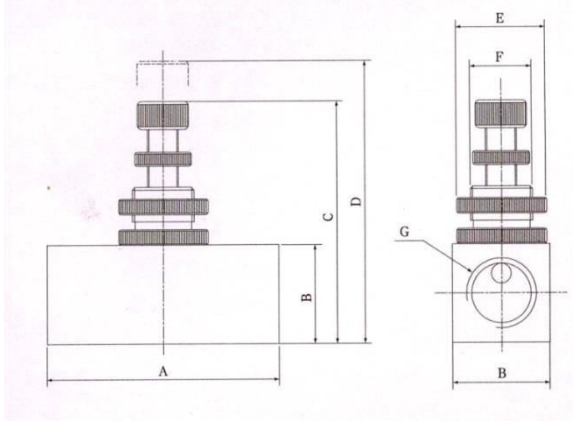


HIZ AYAR VALFİ
FLOW CONTROL VALVE

MODEL P-RE



| Tip / Model | A | B | C | D | E | F | G |
|-------------|----|----|----|----|----|-------|-----|
| P-RE-01 | 45 | 19 | 43 | 50 | 19 | M14X1 | 1/8 |
| P-RE-02 | 45 | 19 | 43 | 50 | 19 | M14X1 | 1/8 |
| P-RE-03 | 55 | 25 | 55 | 65 | 25 | M18X1 | 3/8 |
| P-RE-04 | 55 | 25 | 55 | 65 | 25 | M18X1 | 1/2 |

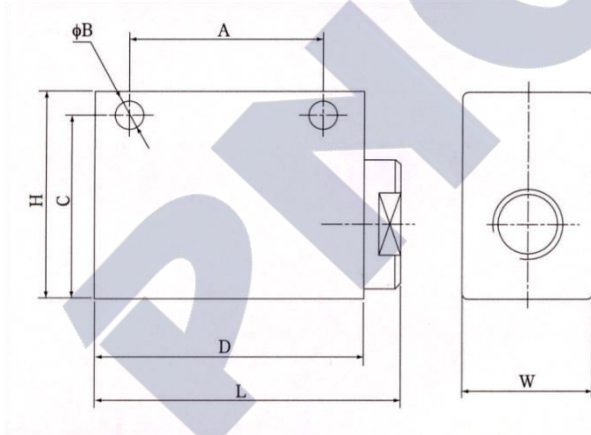
MODELLER / MODELS

P-RE-01 HIZ AYAR VALFİ 1/8" BAĞLANTILI / THREADED
P-RE-02 HIZ AYAR VALFİ 1/4" BAĞLANTILI / THREADED
P-RE-03 HIZ AYAR VALFİ 3/8" BAĞLANTILI / THREADED
P-RE-04 HIZ AYAR VALFİ 1/2" BAĞLANTILI / THREADED

MAX BASINÇ / MAX.PRESSURE : 10 BAR
MAX SICAKLIK / MAX TEMPERATURE : 60 °C

ÇABUK EGZOST AYAR VALFİ
QUICK EXHAUST VALVE

MODEL P-QE



MODELLER / MODELS

P-QE-01 ÇABUK EGZOST VALFİ 1/8" BAĞLANTILI / THREADED
P-QE-02 ÇABUK EGZOST VALFİ 1/4" BAĞLANTILI / THREADED
P-QE-04 ÇABUK EGZOST VALFİ 1/2" BAĞLANTILI / THREADED

MAX BASINÇ / MAX.PRESSURE : 10 BAR
MAX SICAKLIK / MAX TEMPERATURE : 60 °C

| Tip / Model | GİRİŞ-ÇIKIŞ IN / OUT | L | W | H | A | B | C | D |
|-------------|-------------------------|----|----|----|----|-----|------|-----|
| P-QE-01 | 1/8 | 46 | 20 | 32 | 30 | 4,3 | 27 | 40 |
| P-QE-02 | 1/4 | 62 | 25 | 40 | 39 | 5,6 | 33,5 | 5,5 |
| P-QE-04 | 1/2 | 98 | 38 | 64 | 60 | 8,5 | 51 | 90 |