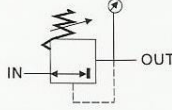
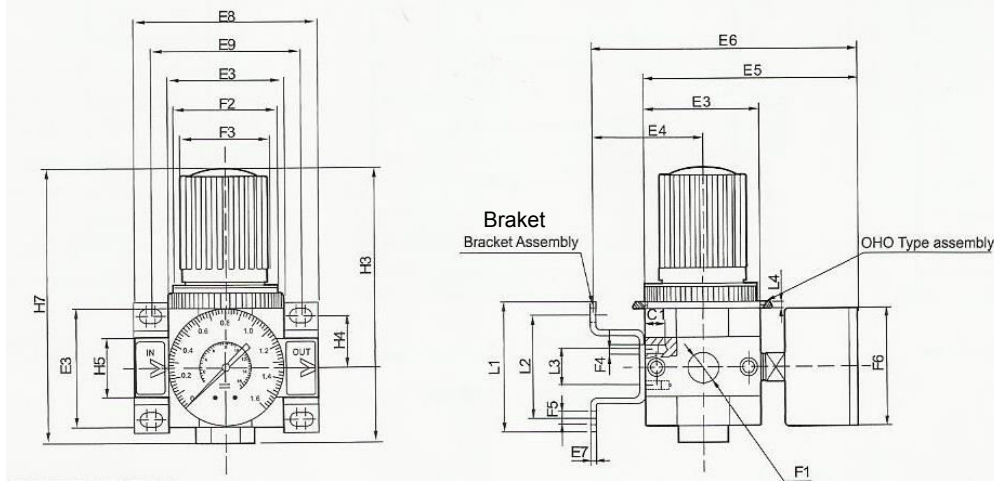


Graphic Symbol



P-OR SERİSİ



HAVA REGÜLATÖRÜ AIR REGULATOR

MODEL P-OR



MODELLER / MODELS

- P-OR-MIDI / 1/8" BAĞLANTILI / THREADED
- P-OR-MIDI / 1/4" BAĞLANTILI / THREADED
- P-OR-MIDI / 3/8" BAĞLANTILI / THREADED
- P-OR-MIDI / 1/2" BAĞLANTILI / THREADED
- P-OR-MAXI / 3/4" BAĞLANTILI / THREADED
- P-OR-MAXI / 1" BAĞLANTILI / THREADED

MAX BASINÇ / MAX.PRESSURE : 10 BAR
MAX SICAKLIK / MAX.TEMPERATURE : 60 °C

TİP/ MODEL	E3	E4	E5	E6	E8	E9	F1	F2	F3	F4	F5	F6	L1	L2	L3	L4	H3	H4	H7
P-OR-MIDI 1/8"	55	47	93	112	85	70	1/8"	M52*1.5	50	M5	5.5	52	71	60	22	Max.5	98	24.5	96
P-OR-MIDI 1/4"	55	47	93	112	85	70	1/4"	M52*1.5	50	M5	5.5	52	71	60	22	Max.5	98	24.5	96
P-OR-MIDI 3/8"	55	47	93	112	85	70	3/8"	M52*1.5	50	M5	5.5	52	71	60	22	Max.5	98	24.5	96
P-OR-MIDI 1/2"	55	47	93	112	85	70	1/2"	M52*1.5	50	M5	5.5	52	71	60	22	Max.5	98	24.5	96
P-OR-MAXI 3/4"	66	53	104	124	96/116	80/91	3/4"	M52*1.5	50	M5	5.5	52	71	60	22	Max.5	98	24.5	96
P-OR-MAXI 1"	66	53	104	124	96/116	80/91	1"	M52*1.5	50	M5	5.5	52	71	60	22	Max.5	98	24.5	96