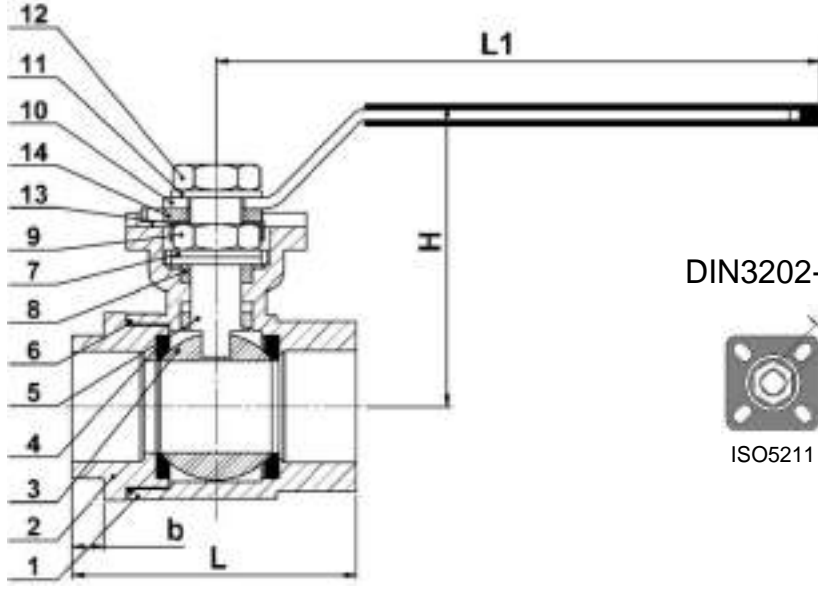


**2 PARÇALI DIŞLİ 304&316 TAM GEÇİŞLİ TEPE FLANŞLI
KÜRESEL VANA**
**2 PC THREADED 304&316 FULL PORT HIGH PAD
BALL VALVE**



DIN3202-M3



ISO5211

MODEL NST-2AK



NO	PARÇA ADI / PART NAME	MALZEME / MATERIAL	MİKTAR / QTY
1	GÖVDE / BODY	ASTM A351 CF8/CF8M	1
2	KAPAK / COVER	ASTM A351 CF8/CF8M	1
3	KÜRE / BALL	ASTM A351 CF8/CF8M	1
4	SİT / SEAT	PTFE	2
5	MİL / SHAFT	PASLANMAZ ÇELİK / SS304	1
6	CONTA / GASKET	PTFE	1
7	BASINÇLI AYAR PULU / THRUST WASHER	PTFE	2
8	MİL SALMASTRASI / SHAFT PACKING	PTFE	1
9	SOMUN / NUT	PASLANMAZ ÇELİK / SS304	1
10	KOL / HANDLE	PASLANMAZ ÇELİK / SS304	1
11	PUL / WASHER	PASLANMAZ ÇELİK / SS304	1
12	SOMUN / NUT	PASLANMAZ ÇELİK / SS304	1
13	SOMUN KİLİDİ / NUT LOCK	PASLANMAZ ÇELİK / S304	1
14	KOL KİLİTLEME / HANDLE LOCK	PASLANMAZ ÇELİK / S304	1

ÖLÇÜ / SIZE BSP	L	H	b	L1	CXC	TEPE FLANŞLI / TOP PAD ISO5211	TORK / TORQUE N.m	AĞIRLIK / WEIGHT KGS
1/4"	50	68	11	103	9*9	F03-F05	8	0,44
3/8"	60	68	11	103	9*9	F03-F05	8	0,43
1/2"	75	68	15	103	9*9	F03-F05	10	0,41
3/4"	80	75	16	127	9*9	F03-F05	12	0,52
1"	90	88	19	127	11*11	F04-F05	15	0,86
1 1/4"	110	94	21	153	11*11	F04-F05	22	1,17
1 1/2"	120	118	21	153	14*14	F05-F07	24	1,70
2"	140	125	25	193	14*14	F05-F07	27	2,15
2 1/2"	185	143	30	193	17*17	F07-F10	42	4,56
3"	205	152	33	279	17*17	F07-F10	51	6,08
4"	240	169	39	335	19*19	F07-F10	90	9,25