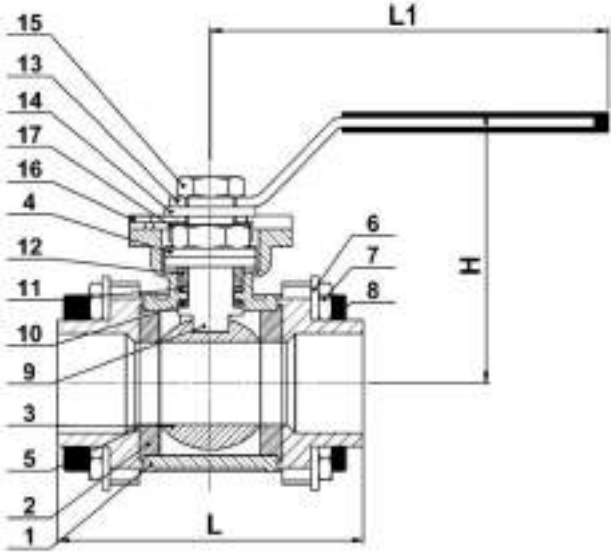


**3 PARÇALI DİŞLİ PASLANMAZ ÇELİK 304&316 TEPE FLANŞLI
TAM GEÇİŞLİ KÜRESEL VANA 1000 PSI
3 PC 304&316 STAINLESS STEEL FULL PORT HIGH PAD BALL
VALVE 1000 PSI THREAD**



DIN3202-M3



NO	PARÇA ADI / PART NAME	MALZEME / MATERIAL	MİKTAR / QTY
1	GÖVDE / BODY	ASTM A351 GR.CF8M	1
2	SİT / SEAT	PTFE	2
3	KÜRE / BALL	ASTM A351 GR.CF8M	1
4	PULL / WASHER	PASLANMAZ ÇELİK / SS304	2
5	KAPAK / COVER	PASLANMAZ ÇELİK / SS316	2
6	YAYLI PUL / SPRING WASHER	PASLANMAZ ÇELİK / SS304	4
7	SOMUN / NUT	PASLANMAZ ÇELİK / SS304	8
8	CİVATALAR / BOLTS	PASLANMAZ ÇELİK / SS304	4
9	MİL / SHAFT	PASLANMAZ ÇELİK / SS316	1
10	MİL SALMASTRASI / SHAFT PACKING	PTFE	1
11	V-RİNG / V-RING	PTFE	1
12	RİNG BASKI / TRUST RING	PASLANMAZ ÇELİK / SS304	1
13	KOL / HANDLE	PASLANMAZ ÇELİK / SS304	1
14	YAYLI RONDELA / SPRING WASHER	PASLANMAZ ÇELİK / SS304	1
15	SOMUN / NUT	PASLANMAZ ÇELİK / SS304	1
16	KOL KİLİTLEME / HANDLE LOCK	PASLANMAZ ÇELİK / SS304	1
17	SOMUN KİLİDİ / NUT LOCK	PASLANMAZ ÇELİK / SS304	1

ÖLÇÜ / SIZE	BSP	L	H	L1	CXC	TEPE FLANŞLI / TOP PAD	TORK / TORQUE	AĞIRLIK / WEIGHT
						ISO5211	(N.m)	KGS
1/4"		50	65	103	9*9	F03	3	0,62
3/8"		60	65	103	9*9	F03	3	0,61
1/2"		75	63	103	9*9	F03	3,5	0,63
3/4"		80	74	127	9*9	F03-F05	5,5	0,76
1"		90	86	127	11*11	F03-F05	7	1,32
1 1/4"		110	95	153	11*11	F05-F07	11,5	1,70
1 1/2"		120	116	153	14*14	F05-F07	17	2,26
2"		140	122	193	14*14	F05-F07	22,5	2,78
2 1/2"		185	147	193	17*17	F07-F10	41	5,86
3"		205	153	279	17*17	F07-F10	69	8,17
4"		240	167	335	19*19	F07-F10	97	13,47